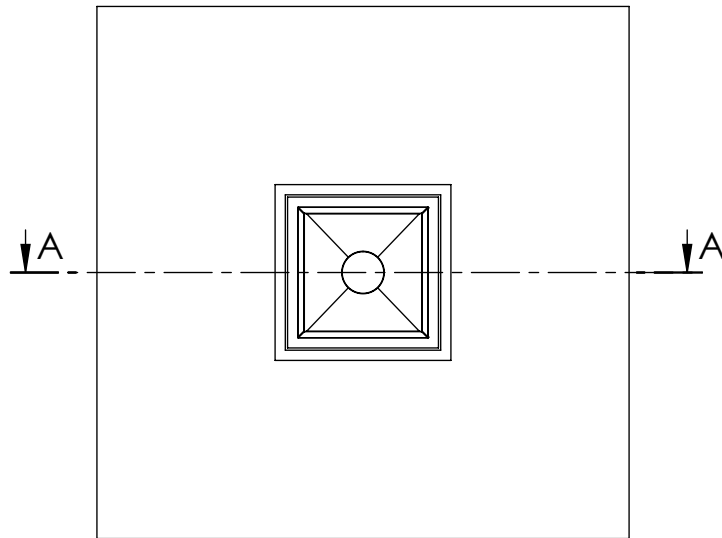
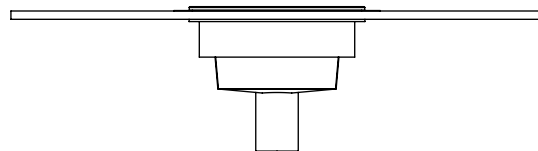


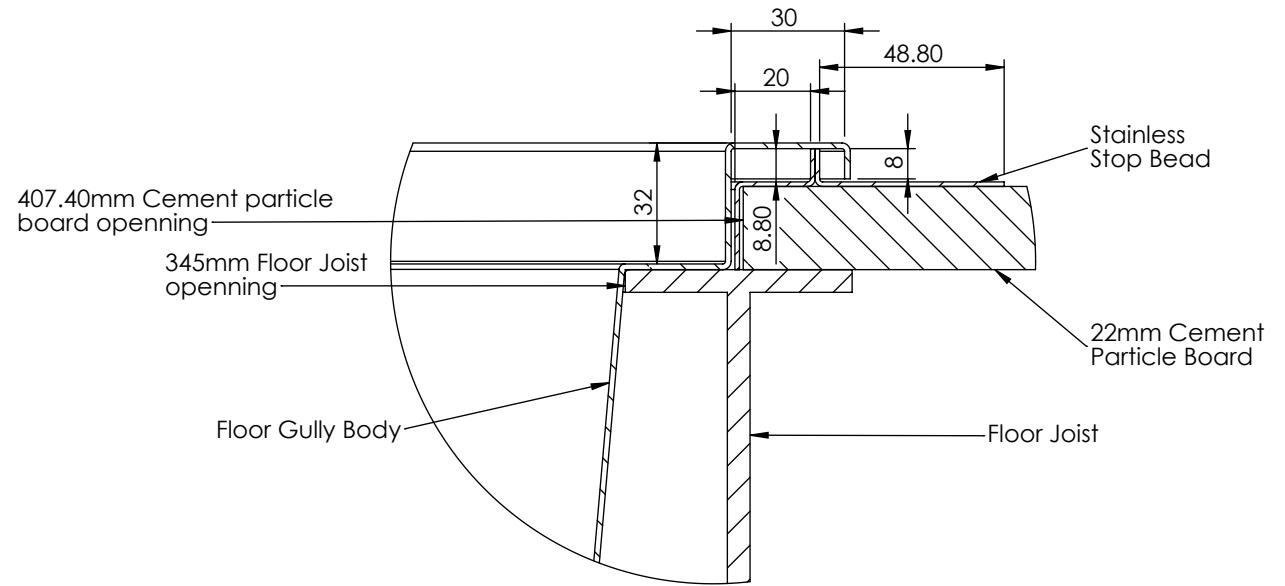
SECTION A-A



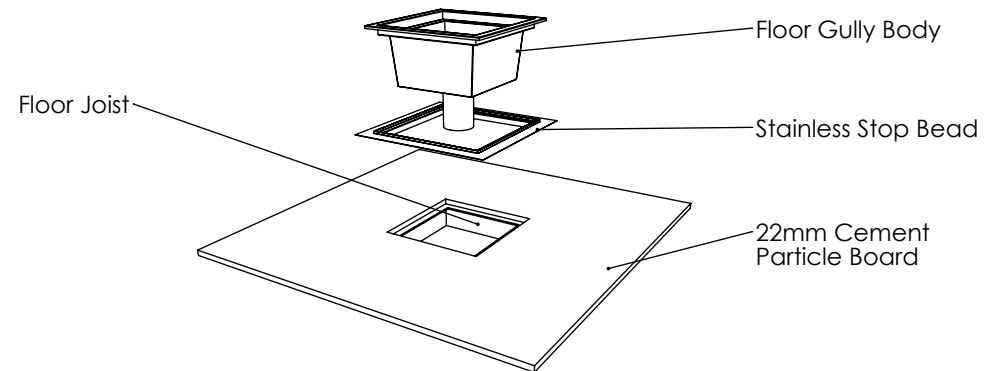
TOP VIEW  
SCALE 1:20



FRONT VIEW  
SCALE 1:20



DETAIL B  
SCALE 1 : 2



Client:

Description:

THIS DRAWING REMAINS THE  
PROPERTY OF OLYMPIC AND  
MAY NOT BE COPIED,  
REPRODUCED, LENT OR  
DISCLOSED WITHOUT THEIR  
EXPRESS PERMISSION

Drawn by: ctorralba  
Date: 18/06/2007

Approved by:  
Date:

UNLESS OTHERWISE SPECIFIED:  
DIMENSIONS ARE IN MILLIMETERS

SHEET 1 OF 1