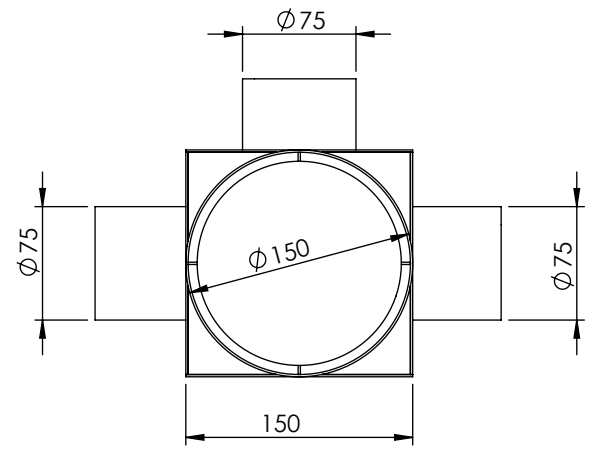
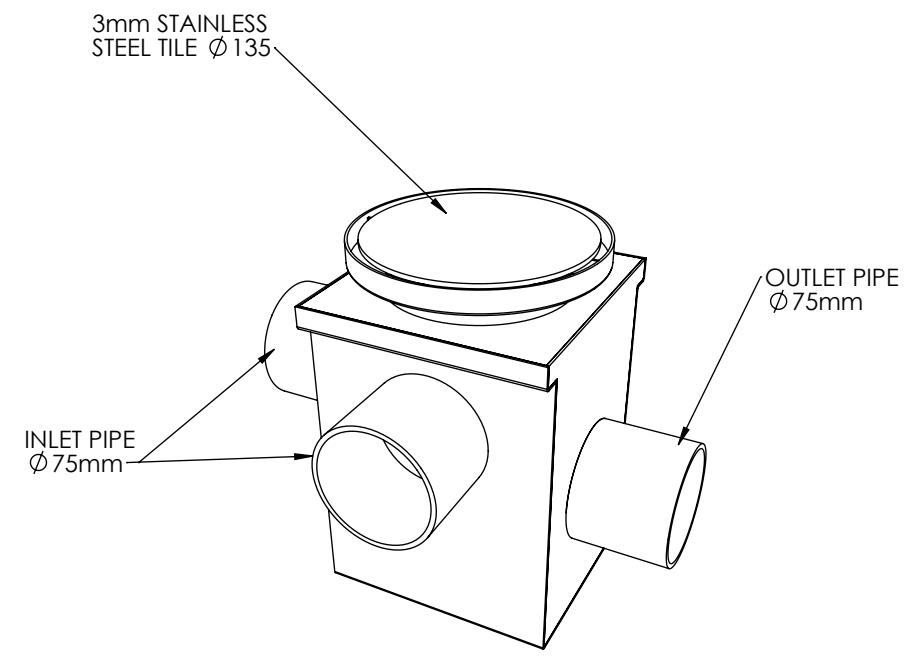


SIDE VIEW
SCALE 1:5



TOP VIEW
SCALE 1:5



Client:

Description:

**CIRCULAR TOP
ATTACHMENT**

THIS DRAWING REMAINS THE
PROPERTY OF OLYMPIC AND
MAY NOT BE COPIED,
REPRODUCED, LENT OR
DISCLOSED WITHOUT THEIR
EXPRESS PERMISSION

Drawn by: ctorralba

Date: 19/07/2007

Approved by:

Date:

UNLESS OTHERWISE SPECIFIED:
DIMENSIONS ARE IN MILLIMETERS

SHEET 1 OF 1